

E-Series Padlock

Extra High Security

SBE - Sliding Bolt



Application

Extra High Security padlock for general use.

Operation

Rotate key 65° to unlock.

Options

- Different bolt diameters
- Different clearances

Materials

Body: case hardened steel
 Bolt: hardened boron alloy steel
 Finish: black electrophoretic

Additional features

- Rotating disk to resist drilling.
- Protective shutter to prevent dust contamination.
- Durable and corrosion-resistant.
- Spring loaded bolt for easy use.

Cylinder mechanism

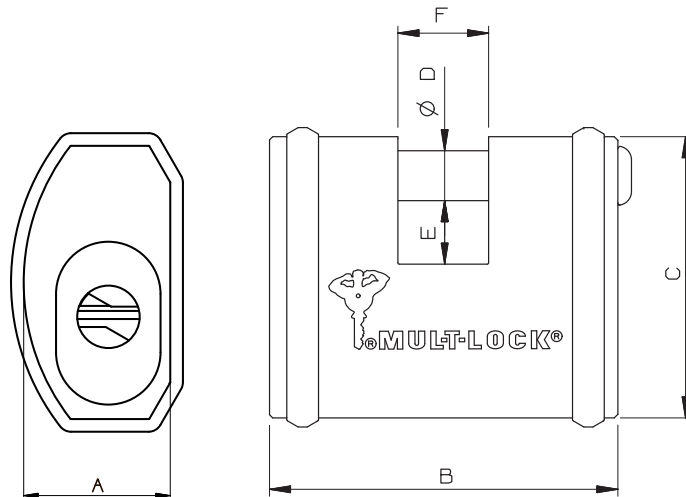
Mul-T-Lock's unique high precision pin tumbler system. Pick and drill resistant for High Security needs.

Keys

Reversible nickel silver key with plastic key head and colored insert for identification. Also available in all nickel silver.

Cylinder options

- Interactive®, MT5® platforms
- Keyed different, keyed alike
- Master keyed



Padlocks

Model number		Body			Bolt & Clearance			Standard Grade CEN
		A	B	C	D	E	F	
SBE 11 P	mm	34	77	62	11	14	20	4
	Inch	1.3	3	2.4	0.4	0.5	0.8	
SBE 11 R	mm	34	77	62	11	14	28	4
	Inch	1.3	3	2.4	0.4	0.5	1.1	
SBE 13 P	mm	34	86	72	13	15	25	5
	Inch	1.3	3.4	2.8	0.5	0.6	0.9	
SBE 13 R	mm	34	86	72	13	18.5	36	5
	Inch	1.3	3.4	2.8	0.5	0.7	1.4	

R- regular

P- optimal for use with pad-bar